

Print and Fold Mini-Sketch Books from one sheet of 8.5" x 11" paper.



Print this PDF and use the directions on page 2 to fold a sheet of standard office printing paper into a miniature six page sketchbook with a front and back cover. The little sketchbooks are easy to carry in a pocket so they are always available to sketch images you may want to record.

Each *My Place Sketch Book* encourages you to look closely at objects and compositions for practice sketches.

Contents of this PDF:

Welcome and Introduction	page 1
Instructions for folding	page 2
<i>My Place Sketch Book</i> v.1 to print	page 3
<i>My Place Sketch Book</i> v.2 to print	page 4
Sample book to practice folding	page 5

My Place Sketch Book is a great way to find inspiration anytime your fingers feel like they want to sketch. Print the pages of this PDF file on 20 to 24 lb. paper. The first version of the mini-sketch book shows titles for six subjects found around your home, while version two has a space for you to make notes about future subjects that you would like to sketch. If you plan to use watercolor, you can print the pages on drawing paper that will have a surface to accept a light wash. Most printers will print on medium weight paper, cut to 8.5" x 11" size, but check your printer's instructions for acceptable paper weights.

When the page is printed, you can fasten the flat sheets of paper to a clipboard. This can be a convenient way to make your sketches first before folding into the pages that form the little books. Or, you can fold the mini sketchbooks first if you plan to carry them in a pocket for impromptu sketching when you are out and about. The folding instructions are on page 2 and the choice is yours.

The *My Place Sketch Book* is adaptable for a series of themed sketchbooks. While the first version is labeled to record pictures of spaces in your home, subsequent books can record space at your work place, along your jogging path, at your shopping spots, or on a vacation.

You can also share this project by printing copies of the mini-book for your drawing class, or for a group of children on a field trip or at a sporting event.

Be sure to also download our other free mini-sketchbooks: *A Sketch A Day* and *My Face Sketch Book*. You will find them all at: <http://www.PenInkWatercolorSketching.com/>

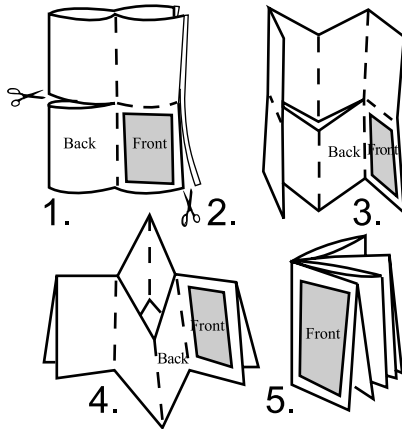


View *A Guide to Pen, Ink, and Watercolor Wash Sketching* online.

How to fold the Mini-Sketch Books

Print and Fold
Mini-Sketch Books
www.PenInkWatercolorSketching.com
www.funlessonplans.com LLC

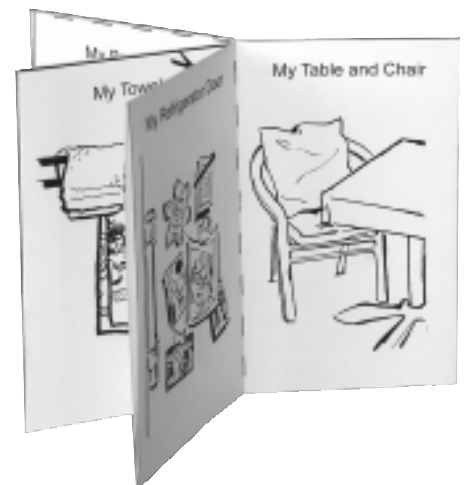
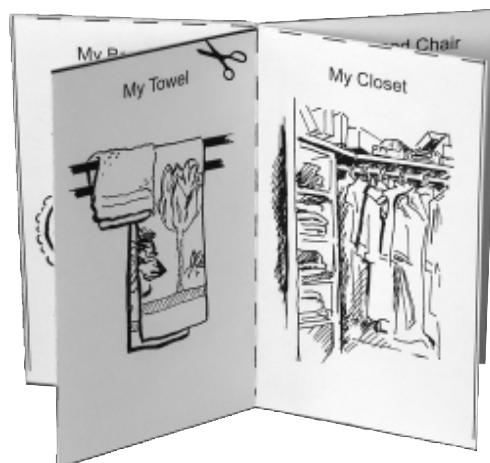
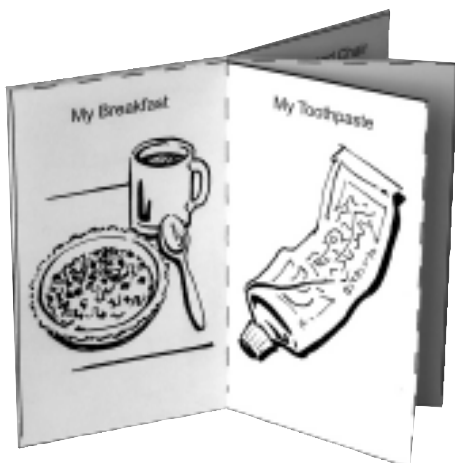
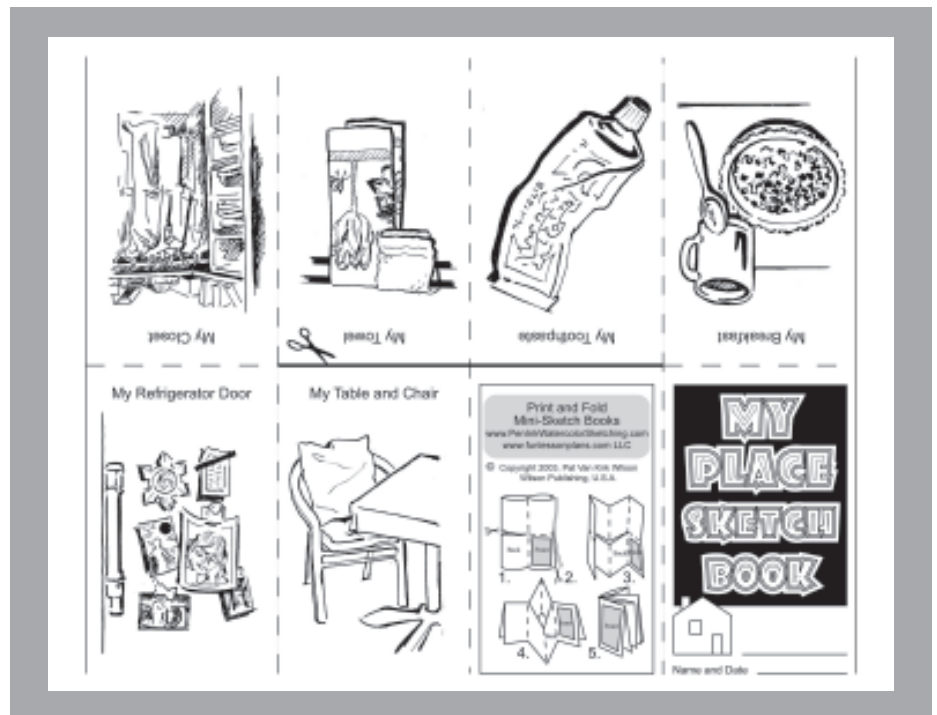
© Copyright 2003, Pat Van Kirk Wilson
Wilson Publishing, U.S.A.



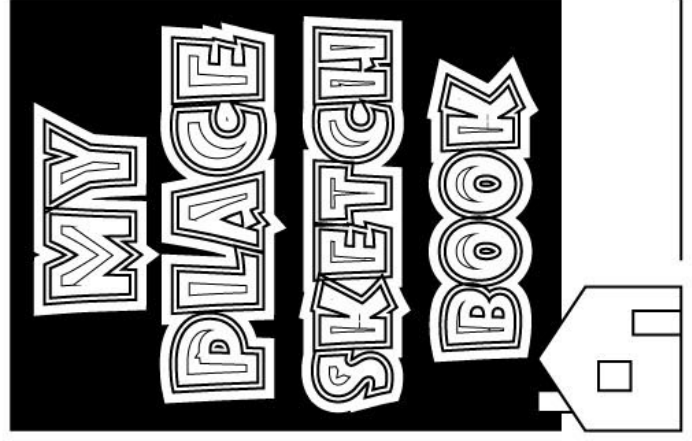
First, fold lightly along all of the dashed lines to establish the fold lines. Then crease more firmly as shown in steps 1 to 5 at left.

1. Fold in half along the dotted line of the 8.5" dimension as shown in step one. Cut along the center line as marked.
2. Trim the border on the two 8.5" ends.
3. Fold the other 8.5" dotted lines as shown in step three.
4. Fold down along the dotted line of the 11" dimension. Pull center section out as shown in step 4.
5. Push the pages inward to form a spine and arrange them so that the cover is on the front.

Press all of the folds very firmly until the creases become sharp and the pages lie flat.

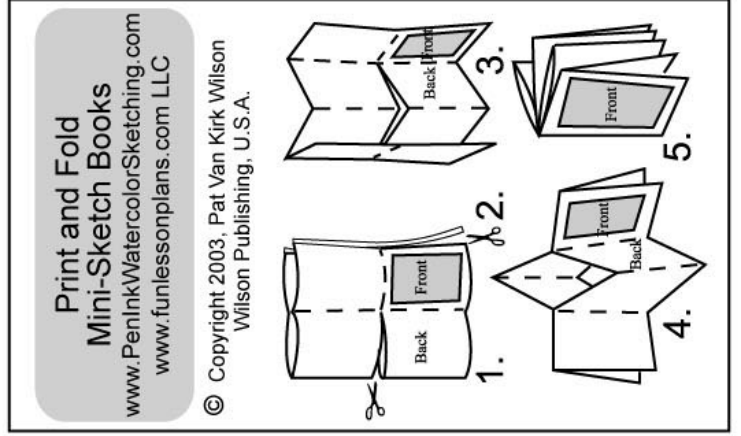


My Breakfast



Name and Date _____

My Toothpaste



My Towel



My Closet

My Table and Chair

My Refrigerator Door

Notes: _____

Notes: _____

Notes: _____

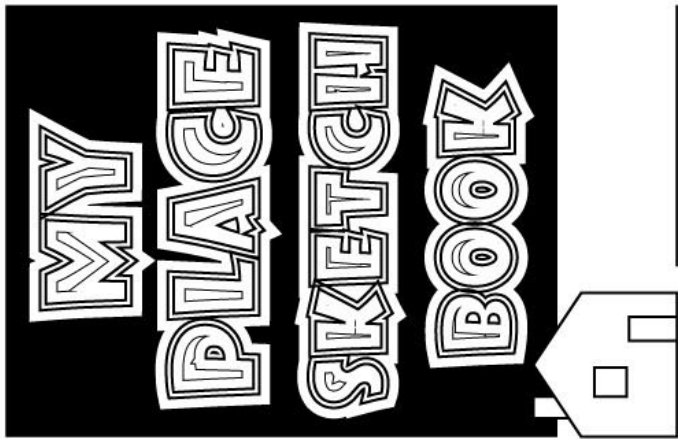
Notes: _____

Notes: _____

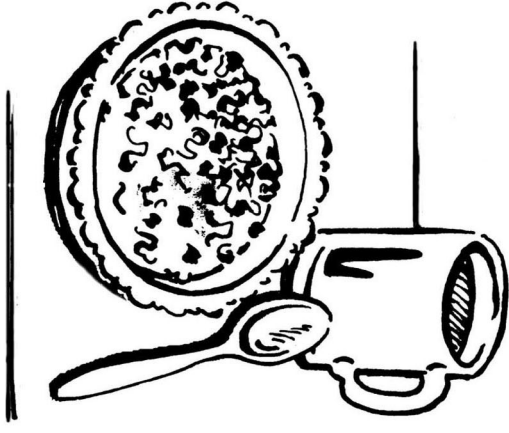
Notes: _____

Print and Fold
Mini-Sketch Books
www.PenInkWatercolorSketching.com
www.funlessonplans.com LLC

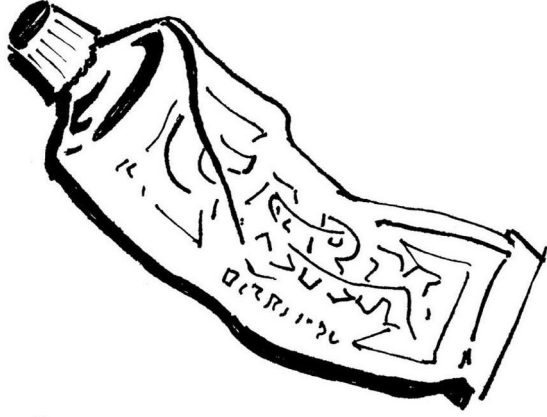
© Copyright 2003, Pat Van Kirk Wilson
Wilson Publishing, U.S.A.



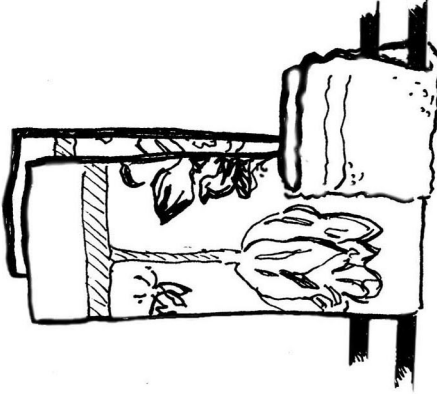
Name and Date _____



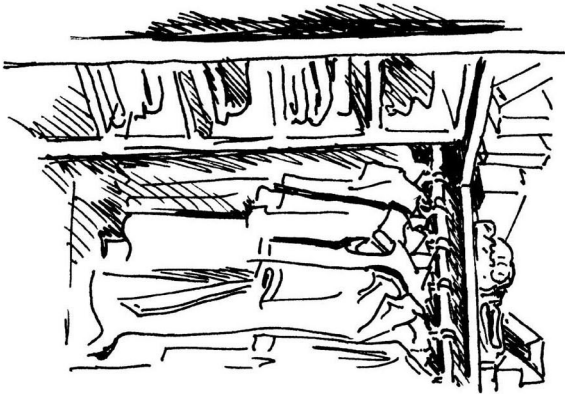
My Breakfast



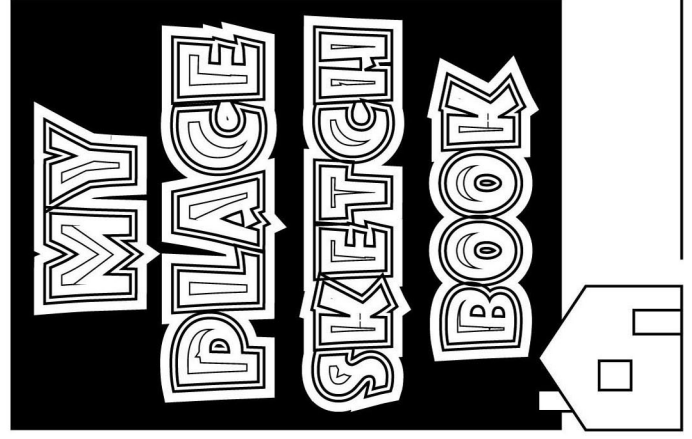
My Toothpaste



My Towel



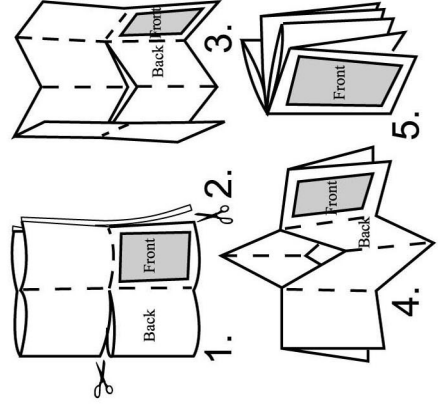
My Closet



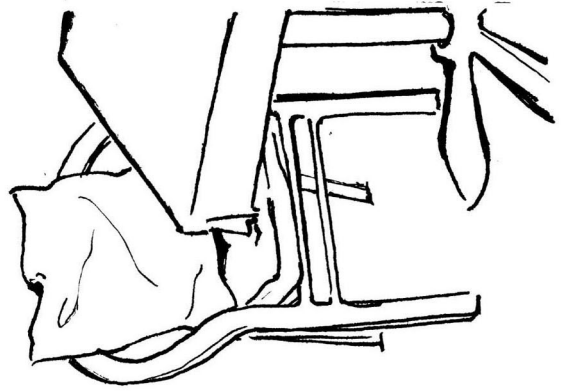
Name and Date _____

Print and Fold
Mini-Sketch Books
www.PenInkWatercolorSketching.com
www.funlessonplans.com LLC

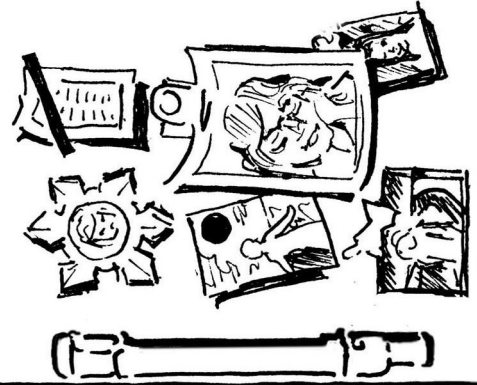
© Copyright 2003, Pat Van Kirk Wilson
Wilson Publishing, U.S.A.



My Table and Chair

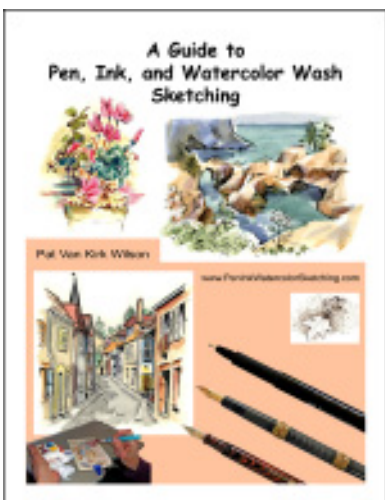
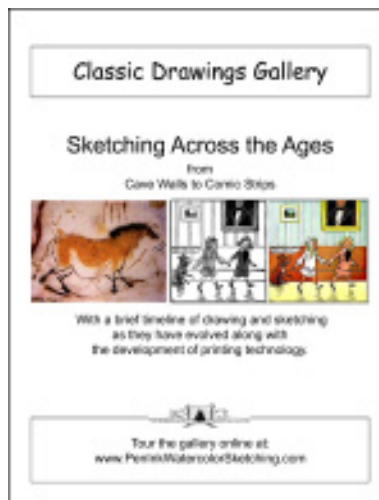


My Refrigerator Door



You have downloaded one of our many FREE pdf
 Sketching Tip Sheets. To see and download more, go to our website at
<http://www.PenInkWatercolorSketching.com>

Download Free Drawing Tutorials, Sketching Tips, and Print and Fold Mini-Sketchbooks for My Face Sketchbook or
 A Sketch a Day, and our popular Practice Painting People tutorial for adding people to your landscapes.
 View pen, ink, and watercolor tips. **New!** Practice life drawing. Sketch sculptures from the Google Art Project
 as if they were live models in action poses on your Smartphone, Tablet, iPad, iPhone, or PC.



Tour the Classic Drawings Gallery, from
 cave paintings to comic strips.

View the eBooks,
A Guide to Pen, Ink, and Watercolor Wash Sketching.
 and
*Practice Sketching—
 Art Tutorial Sketchbook*

Come back often, we keep adding more.

