

Print and Fold Mini-Sketch Books from one sheet of 8.5" x 11" paper.



Print this PDF and use the directions on page 2 to fold a sheet of standard office printing paper into a miniature six page sketchbook with a front and back cover. The little sketchbooks are easy to carry in a pocket so they are always available to sketch images you may want to record.

Each *My Face Sketch Book* presents an easy and fun way to practice drawing the human face.

Contents of this PDF:

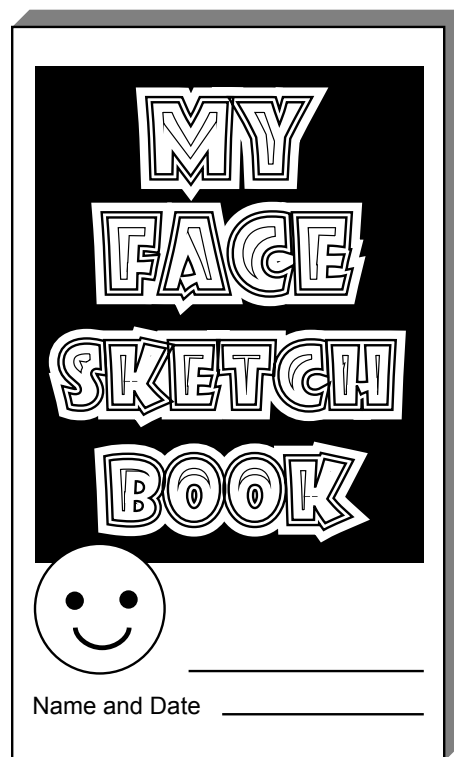
Welcome and Introduction	page 1
Instruction for folding	page 2
<i>My Face Sketch Book</i> v.1 to print	page 3
Sample book to practice folding	page 4

In the *My Face Sketch Book* we concentrate on one facial feature at a time, so we are forced to look more carefully at each eye, the nose, mouth, chin, and hair. Our observation is increased while any anxiety we might have about trying to get all the facial elements correct and in proportion to one another is reduced.

Print the pages of this PDF file on 20 to 24 lb. paper. If you plan to use watercolor, you can print on drawing paper cut to 8.5" x 11" size. Most printers will print on medium weight paper that will have a surface to accept a light wash, but check your printer's instructions for acceptable paper weights.

We will be sketching on one page at a time, so follow directions on page 2 to fold the mini-sketchbook before beginning to sketch your face. Sit at a table with a mirror in front of you and sketch the first five pages with the features as labeled: left eye, right eye, nose, mouth and chin, ears and hair. Don't worry about scale, just look really hard at the face you are drawing. It is OK if the eyes are larger than the nose. On the last page, draw the whole face. With each feature still actively in your memory, it may be easier than you think.

Your own face or a live model is best, but you can also work from a photo. Although ink pens work easily for hair, it is difficult to render soft skin tones with black ink hatches, so you may want to use brown ink, watercolor pencils, or tinted washes when modeling the face.



Be sure to download our other free mini-sketchbooks: *A Sketch A Day* and *My Place Sketch Book*. You will find them all at: <http://www.PenInkWatercolorSketching.com/>

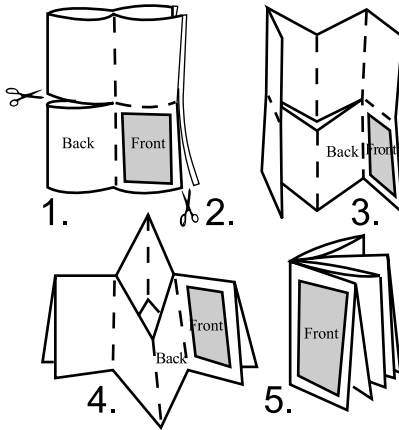
View A Guide to Pen, Ink, and Watercolor Wash Sketching online.

How to fold the Mini-Sketch Books

First, fold lightly along all of the dashed lines to establish the fold lines. Then crease more firmly as shown in steps 1 to 5 at left.

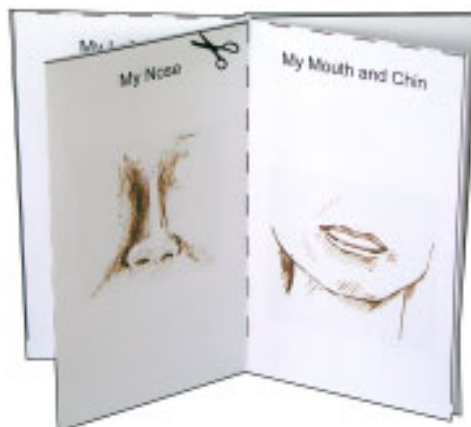
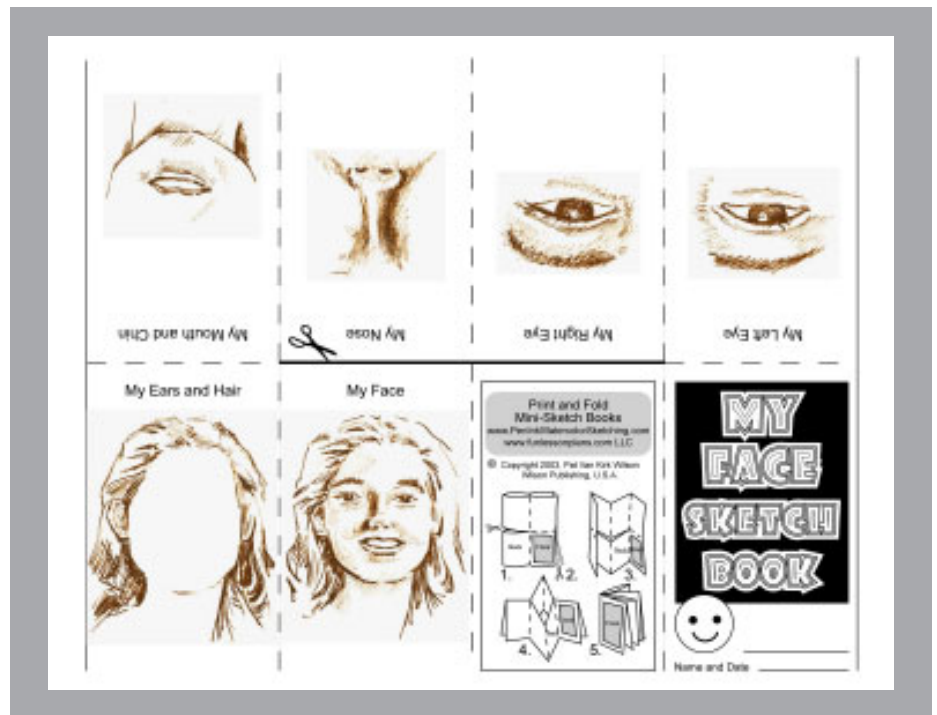
Print and Fold
Mini-Sketch Books
www.PenInkWatercolorSketching.com
www.funlessonplans.com LLC

© Copyright 2003, Pat Van Kirk Wilson
Wilson Publishing, U.S.A.



1. Fold in half along the dotted line of the 8.5" dimension as shown in step one. Cut along the center line as marked.
2. Trim the border on the two 8.5" ends.
3. Fold the other 8.5" dotted lines as shown in step three.
4. Fold down along the dotted line of the 11" dimension. Pull center section out as shown in step 4.
5. Push the pages inward to form a spine and arrange them so that the cover is on the front.

Press all of the folds very firmly until the creases become sharp and the pages lie flat.



Name and Date _____



MY FACE SKETCH BOOK

My Left Eye

My Right Eye

My Nose

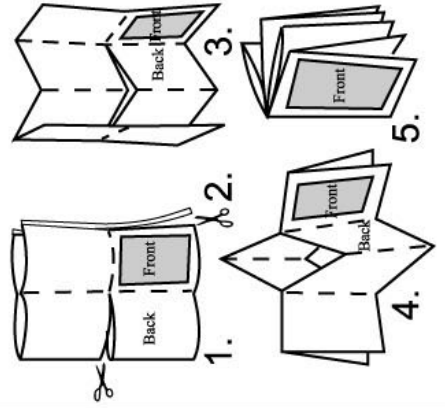
My Mouth and Chin

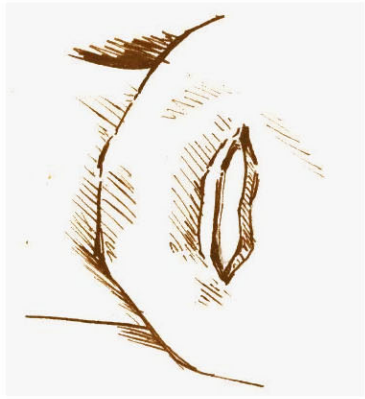
My Face

My Ears and Hair

Print and Fold
Mini-Sketch Books
www.PenInkWatercolorSketching.com
www.funlessonplans.com LLC

© Copyright 2003, Pat Van Kirk Wilson
Wilson Publishing, U.S.A.

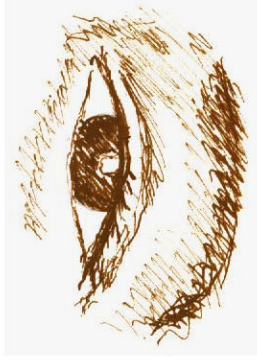




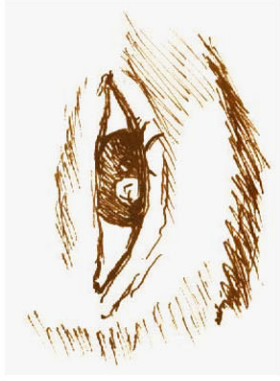
My Mouth and Chin



My Nose



My Right Eye



My Left Eye



My Ears and Hair



My Face

Print and Fold
Mini-Sketch Books
www.PenInkWatercolorSketching.com
www.funlessonplans.com LLC

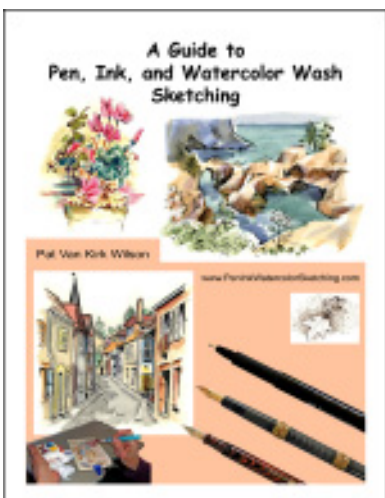
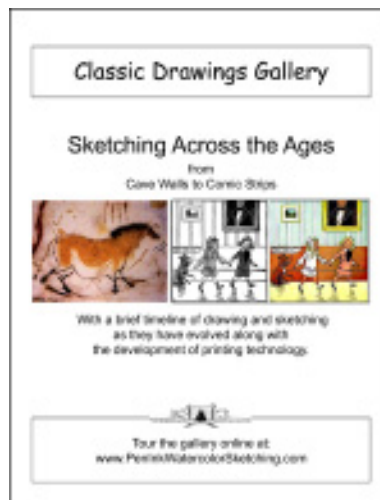
© Copyright 2003, Pat Van Kirk Wilson
Wilson Publishing, U.S.A.

MY FACE SKETCH BOOK

Name and Date _____

You have downloaded one of our many FREE pdf
 Sketching Tip Sheets. To see and download more, go to our website at
<http://www.PenInkWatercolorSketching.com>

Download Free Drawing Tutorials, Sketching Tips, and Print and Fold Mini-Sketchbooks for My Face Sketchbook or
 A Sketch a Day, and our popular Practice Painting People tutorial for adding people to your landscapes.
 View pen, ink, and watercolor tips. **New!** Practice life drawing. Sketch sculptures from the Google Art Project
 as if they were live models in action poses on your Smartphone, Tablet, iPad, iPhone, or PC.



Tour the Classic Drawings Gallery, from
 cave paintings to comic strips.

View the eBooks,
A Guide to Pen, Ink, and Watercolor Wash Sketching.
 and
Practice Sketching—
Art Tutorial Sketchbook

Come back often, we keep adding more.

